

SHARP

MX-M564N / MX-M464N / MX-M364N

Digital Multifunctional System



BLACK & WHITE MFP WITH ADVANCED ENVIRONMENTAL FEATURES

No one knows what the future holds /**This is Why** our cloud-capable MFPs are ready for the challenges of tomorrow.

You like to plan ahead /This is Why our MFPs are ready for the future.

Get ready for the future with our Cloud-capable, environmentally responsible MFPs.

Whether you want fast, reliable printing and copying, automatic two-sided scanning, in-line document finishing - all with industry-leading environmental innovations - these affordable MFPs will support your team both now and in the years ahead.

Convenient control

Every major feature of these easy to use A3 MFPs can be controlled from a 7.0" colour LCD touchscreen. For extra convenience, we've added a stylus pen for pinpoint control. It's details like this which make these MFPs such a pleasure to use.

All of the most important features come as standard. The print speeds range from between 36 to 56 pages per minute, there's an integrated double sided-document scanner, colour network scanning, a network addressable 320 GB internal hard drive for storing files and jobs, and a 600-sheet expandable paper supply.

Lower running costs. Lower environmental impact.

We've pushed back the boundaries of toner science with a brand new lower-melt toner formulation for reduced energy consumption. This, and other green innovations, gives these MFPs one of the lowest Total Electricity Consumption (TEC) values in the industry.

Dependable security

Keep your data and network safe with built-in user authentication, secure network cards, SSL, IPsec and port-based network control. Plus, there's PIN-controlled pull printing for protecting sensitive documents, as well as encryption and secure erasure of data on the hard disk.

EFFICIENT AND
PRODUCTIVE A3 MFPs



Energy is expensive /This is Why we make MFPs that cost less to run.

The MX-M564N, MX-M464N, and MX-M364N have industry-leading green credentials. Biomass plastic, breakthrough toner technology, an energy-efficient fuser with short warm up times, intelligent power saving and low-energy LED lamps - it all adds up to our most environmentally-friendly design yet.

Clever construction, kinder consumables

We've used biomass plastic, made from plant matter, in the construction of these MFPs. Plus, we've developed a new toner - Mycrostoner-CAP™ - which significantly reduces energy consumption on every page that you print, because it can be melted at lower, cost-efficient temperatures.

Intelligent power saving

Most MFPs can switch themselves into 'sleep' mode after a set period of inactivity. But the MX-M564N, MX-M464N and MX-M364N do a whole lot more.

They can 'learn' your usage patterns and go to sleep when they predict a period of inactivity, and you can schedule set times for the MFP to turn itself on or off.

You can save even more money with the Auto Power Shut Off feature which sends the MFP to sleep when it has finished a job. At other times, you can simply use the manual power-save button.

Eco Scan

If you're doing something that doesn't need the fuser – scanning documents, for example – the Eco Scan feature will help you save even more money by keeping the fuser switched off.



SUPPORTING YOUR ENVIRONMENT

You're versatile and ready for change /This is Why we give you more choice.

Whichever model you choose you can be sure of getting all the popular features that people rely on every day. But why not add even more value by choosing from our range of productivity options?

Add extra paper drawers (including high capacity tandem drawers) to boost the paper supply right the way up to 6,600 sheets for hours of unattended printing. Choose the 1200mm banner option for printing eye-catching posters.

If you want to add automatic finishing, we can offer you a staple finisher, a 1K or 4K bi-folding saddle-stitch finisher for making booklets, and a space-saving inner finisher for simple sorting, stapling and off-set stacking. You can also add a hole puncher for creating ready-to-file documents.

Other options include Sharp OSA for direct access to the latest cloud applications, wireless network connection, printing from smartphones and tablets, a retractable keyboard for easy data entry, PS3 emulation and extra security.

PERFORMANCE ENHANCING OPTIONS



You want maximum productivity /This is Why our MFPs are cloud-capable.

The MX-M564N, MX-M464N and MX-M364N can take office productivity and convenience to a whole new level with their outstanding connectivity and information-sharing capabilities.

You may not be using cloud applications yet, but that's the way that business is moving. So it makes sense to keep your options open by investing in cloud-capable MFPs.

Decide today or choose later - a simple upgrade is all it takes to benefit from a rapidly growing range of powerful Apps, accessible just by touching the control panel.

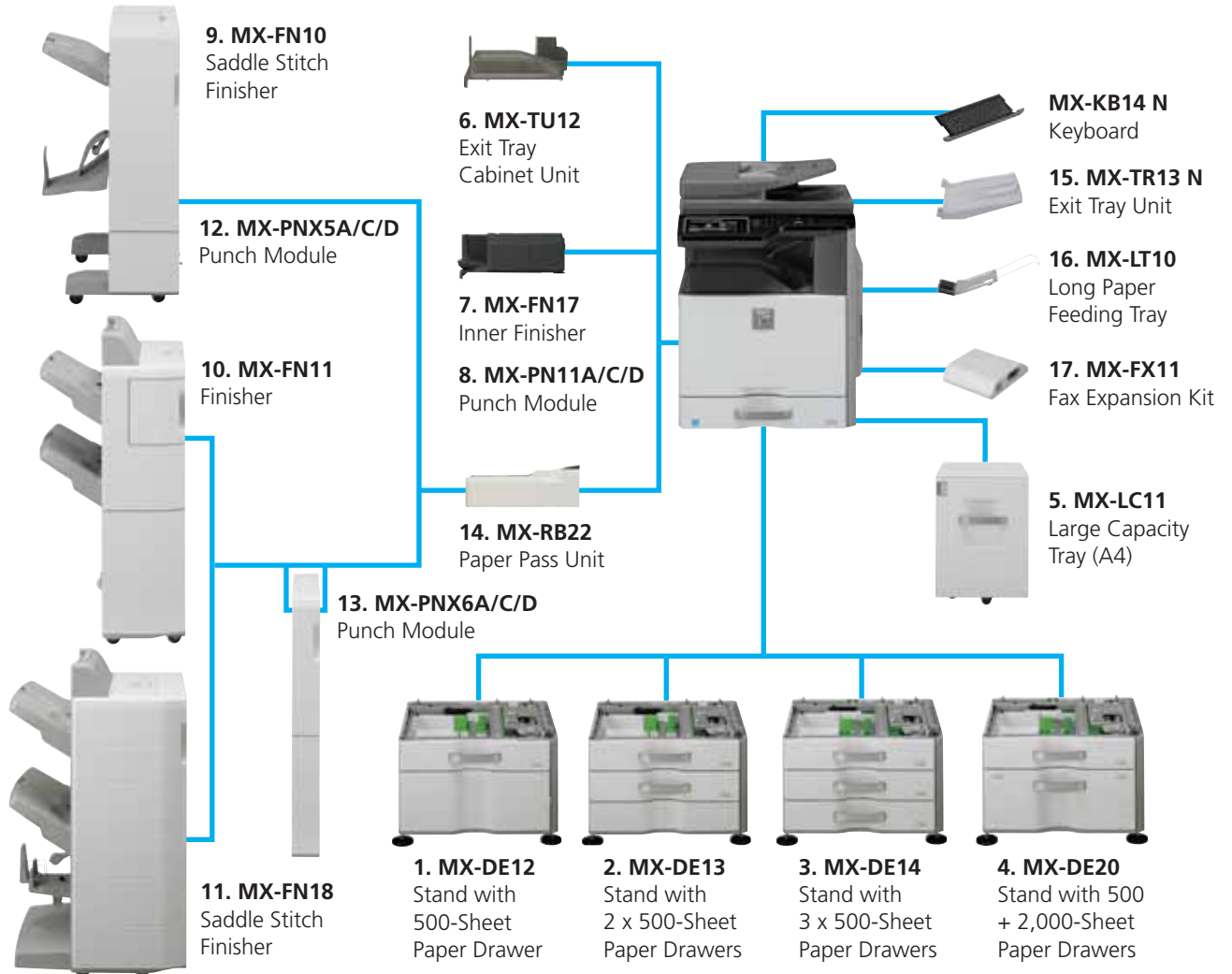
For even more flexibility, add the PostScript 3 emulation option. Now you can print PDFs directly from USB memory stick or the cloud and benefit from seamless integration with powerful Adobe applications.

Mobile Printing and Scanning

The free Sharpdesk Mobile app makes it easy for anyone with a smartphone or tablet to connect to the MFP over your Wi-Fi network. They can preview and print PDF, JPEG, TIFF and PNG files, email attachments, and scan from the MFP to mobile devices just as easily.



Configuration Examples



Base Unit
Inner Finisher
Stand with 3 x 500-Sheet Paper Drawers
Exit Tray Unit



Base Unit
Paper Pass Unit
4,000-Sheet Finisher
Stand with 3 x 500-Sheet Paper Drawers
Exit Tray Unit
Large Capacity Tray



Base Unit
Paper Pass Unit
4,000-Sheet Saddle Stitch Finisher
Punch Module
Stand with 500 & 2,000-Sheet Paper Drawers
Exit Tray Unit
Large Capacity Tray

Base Unit

MX-KB14 N Keyboard

1. MX-DE12 Stand with 500-sheet Paper Drawer

A3 to A5R, 500 sheets each (80 g/m²)

2. MX-DE13 Stand with 2 x 500-sheet Paper Drawers

A3 to A5R, 500 sheets each (80 g/m²)

3. MX-DE14 Stand with 3 x 500-Sheet Paper Drawers

A3 to A5R, 500 sheets each (80 g/m²)

4. MX-DE20 Stand with 500 & 2000-Sheet Paper Drawers

Top Drawer: A3 - A5R, 500 sheets (80 g/m²)

Bottom Drawer:

Left tray: A4, 1150 sheets (80 g/m²)

Right tray: A4, 1 x 850 sheets (80 g/m²)

5. MX-LC11 Large Capacity Tray

A4, 3,500 sheets (80g/m²)

Finishing

6. MX-TU12 Exit Tray Cabinet Unit

7. MX-FN17 Inner Finisher

A3W to A5R (non offset), A3 to B5 (offset/staple)

Offset tray (upper): max. 500-sheet paper capacity*¹

Stapling capacity: max. 50-sheet multi-position staple*¹

Staple position: 3 locations (front, rear or 2 point stitching)

8. MX-PN11A/C/D Punch Module (for MX-FN17)

2/4/4 Hole Wide Punch Module

9. MX-FN10 Saddle Stitch Finisher (1,000-Sheet)

A3 to B5 (offset/staple), A3W to A5R (non offset)

Offset tray (upper): max.1,000-sheet paper capacity*¹

Stapling capacity: max. 50-sheet multi-position staple*¹

Staple position: 3 locations (front, rear or 2 point stitching)*¹

Saddle stitch tray (lower): 10 sets (11-15 sheets), 15 sets (6-10 sheets),

20 sets (1-5 sheets). 15 sheets max per set

10. MX-FN11 Finisher (4,000-Sheet)

A3 to B5 (offset/staple), A3W to A5R (non offset)

Upper Tray: max. 1,550-sheet paper capacity*¹

Lower Tray: max. 2,450-sheet paper capacity*¹

Stapling capacity: max. 50-sheet multi-position staple*¹

Staple position: 3 locations (front, rear or 2 point stitching)*¹

11. MX-FN18 Saddle Stitch Finisher (4,000-Sheet)

A3 to B5 (offset/staple), A3W to A5R (non offset)

Offset tray (upper): max. 1,000/4,000-sheet paper capacity*¹

Stapling capacity: max. 50-sheet multi-position staple*¹

Staple position: 3 locations (front, rear or 2 point stitching)*¹

Saddle stitch tray (lower): 10 sets (11-15 sheets), 15 sets (6-10 sheets),

20 sets (1-5 sheets). 15 sheets max per set.

12. MX-PNX5A/C/D Punch Module (for MX-FN10)

2/4/4 Hole Wide Punch Module

13. MX-PNX6A/C/D Punch Module (for MX-FN11 & MX-FN18)

2/4/4 Hole Wide Punch Module

14. MX-RB22 Paper Pass Unit

Required when using MX-FN10, MX-FN11 or MX-FN18

15. MX-TR13 N Exit Tray Unit

16. MX-LT10 Long Paper Feeding Tray

Recommended for banner printing

Faxing

17. MX-FX11 Fax Expansion Kit

Super G3 fax module

MX-FWX1 Internet Fax Expansion Kit

Printing

MX-PUX1 XPS Expansion Kit

Enables XPS printing

MX-PF10 Barcode Font Kit

Enables Barcode printing

MX-EB13 Wireless LAN Adaptor

Enables connection to wireless networks

Scanning

MX-PK11 PS3 Expansion Kit

Enables PS3 printing

AR-SU1 Stamp Unit

Marks already scanned documents for checking

Sharpdesk™ Licenses

MX-USX1/X5/10/50/A0

1/5/10/50/100-License Kit

Sharp OSA®

MX-AMX1 Application Integration Module

MX-AMX2 Application Communication Module

MX-AMX3 External Account Module

Security

MX-FR45U Data Security Kit*²

Commercial version

*¹ A4 or smaller, 80g/m². *² Available at a later date.

Specifications

General

Engine speed (ppm/cpm) (Max)	A4	A3
MX-M564N	56	26
MX-M464N	46	22
MX-M364N	36	17
Paper size (Min – Max)		
Drawer	A5R – A3	
Multi-bypass	A5R – A3W	
Paper weight *1 (g/m ²)		
Drawer	60 – 220	
Multi-bypass	55 – 300	
Paper capacity (Std – Max)		
Sheets	600 – 6,600	
Drawers	1 – 4 (plus bypass tray)	

Warm-up time *2 (seconds)	12 or less
Memory (GB) (Min – Max)	
Copier/Printer (shared)	3 - 5
HDD*3	320
Option*4	2
Power requirements	Rated local AC voltage ±10%, 50/60 Hz
Power consumption (kW) (Max)	1.84 (220 - 240V)
Dimensions (mm) (W x D x H)	608 x 690 x 837
Weight (kg)	
MX-M564N/MX-M464N	66
MX-M364N	65

Copier

Original paper size (Max)	A3
First copy time *5 (seconds)	
MX-M564N	3.7
MX-M464N	3.9
MX-M364N	4.5
Continuous copies (Max)	999
Resolution (dpi)	
Scan	600 x 600, 600 x 400, 600 x 300
Print	600 x 600, 9,600 (equivalent) x 600
Gradation levels	256
Zoom range (%)	25 – 400, (25 – 200 using RSPF) in 1% increments
Preset copy ratios	10 ratios (5R/5E)

Network Printer

Resolution (dpi)	600 x 600, 9,600*6 (equivalent) x 600
Interface	USB 1.1, USB 2.0, 10Base-T/100Base-TX/1000Base-T
Supported OS	Std Windows Server® 2003, 2008, 2008R2, 2012 Windows® XP, Windows Vista®, Windows® 7, 8 Opt*7 Mac OS X 10.4, 10.5, 10.6, 10.7, 10.8, 10.9
Network protocols	TCP/IP (IPv4, IPv6), IPX/SPX (NetWare), EtherTalk (AppleTalk)
Printing protocols	LPR, Raw TCP (port 9100), POP3 (e-mail printing), HTTP, Novell Printserver application with NDS and Bindery, FTP for downloading print files, EtherTalk printing, IPP
PDL	Std PCL6 emulation Opt PostScript3 emulation*7, XPS*8
Available fonts	80 fonts for PCL, 139 fonts for PostScript3
Printer utilities	Sharpdesk Mobile

Wireless LAN (optional MX-EB13 required)

Compliant regulation	IEEE802.11n/g/b
Access mode	Infrastructure mode*9, Ad-hoc mode (Peer to Peer)
Security	WEP, WPA Personal*10, WPA Enterprise*10, WPA2 Personal*10, WPA2 Enterprise*10

Notes

*1 Depending on usage conditions and type of paper, printing may not be executed correctly. *2 At rated voltage. May vary depending on operating conditions and environment. *3 HDD capacity depends on procurement and sourcing status. *4 Optional memory sourced locally. *5 Best achieved time based on A4 copy, long-edge feeding from 1st paper drawer, using document glass, when machine is ready. May vary depending on machine conditions and operating environment. *6 Resolutions higher than 600 dpi are interpolated. *7 Requires optional MX-PK11. *8 Requires optional MX-PUX1 and 2GB memory. To view XPS files on PCs not running Windows Vista, XPS Viewer must be installed. *9 Commercially available wireless LAN router is required. *10 Not applicable to Ad-hoc mode. *11 Colour only. *12 To view XPS files on PCs not running Windows Vista, you must have the XPS Viewer application installed. *13 Storage capacity will vary depending on the type of document and the scan settings. *14 Optional MX-FWX1 required. *15 Based on Sharp's standard chart with approx. 700 characters (A4 portrait) at standard resolution in Super G3 mode, 33,600 bps, JBIG compression.

Design and specifications are subject to change without prior notice. All information was correct at time of print. The ENERGY STAR logo is a certification mark and may only be used to certify specific products that have been determined to meet the ENERGY STAR programme requirements. ENERGY STAR is a US registered mark. Windows, Windows NT, Windows XP and Windows Vista are registered trademarks of Microsoft Corporation. Adobe and PostScript 3 are either registered trademarks or trademarks of Adobe Systems Incorporated in the U.S. and/or other countries. All other company names, product names and logos are trademarks or registered trademarks of their respective owners. ©Sharp Corporation December 2013. Ref: MX-M564N/MX-M464N/MX-M364N Brochure Job#14842. All trademarks acknowledged. E&OE.

Colour Network Scanner

Scan method	Push scan (via control panel) Pull scan (TWAIN-compliant application)
Resolution (dpi)	
Push scan	100, 200, 300, 400, 600
Pull scan	75, 100, 150, 200, 300, 400, 600 50 to 9,600 dpi via user setting
File formats	TIFF, PDF, encrypted PDF, PDF/A-1b, JPEG*11, XPS*12
Scan destinations	Scan to e-mail, desktop, FTP server, network folder (SMB), USB memory
Scanner utilities	Sharpdesk, Sharpdesk Mobile

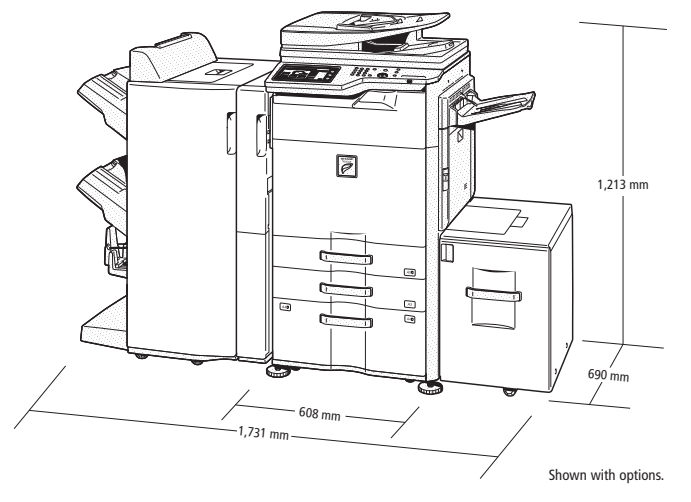
Document Filing

Document filing capacity *13	
Main and custom folders:	20,000 pages or 3,000 files
Quick file folder:	10,000 pages or 1,000 files
Stored jobs	Copy, print, scan, fax transmission*14
Storage folders	Quick file folder, main folder, custom folder (max. 1,000 folders)
Confidential storage	Password protection

Fax (optional MX-FX11 required)

Compression method	MH/MR/MMR/JBIG
Communication protocol	Super G3/G3
Transmission time *15 (seconds)	Less than 3
Modem speed (bps)	33,600 - 2,400 with automatic fallback
Transmission resolution (dpi)	
Std	203.2 x 97.8
Ultra Fine	406.4 x 391
Recording width	A5 - A3
Memory (GB)	1
Grey scale levels	256

External Dimensions



This is Why

www.sharp.eu

SHARP

